

- **SIMPLE INSTALLATION**
- **RUGGED DESIGN**
- **MAINTENANCE FREE**

MXR “THD” Series for Direction Steam Injection Into Tank

The design flexibility of MXR’s Tank Heating Technologies will provide superior heating performance in any tank heating application.

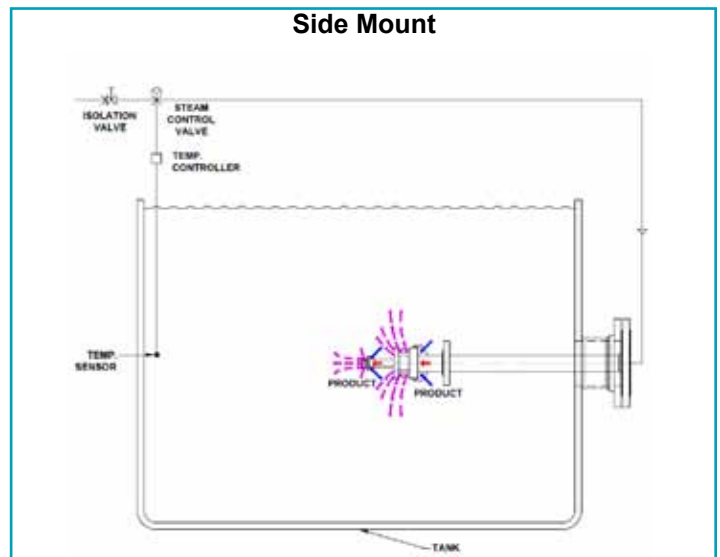
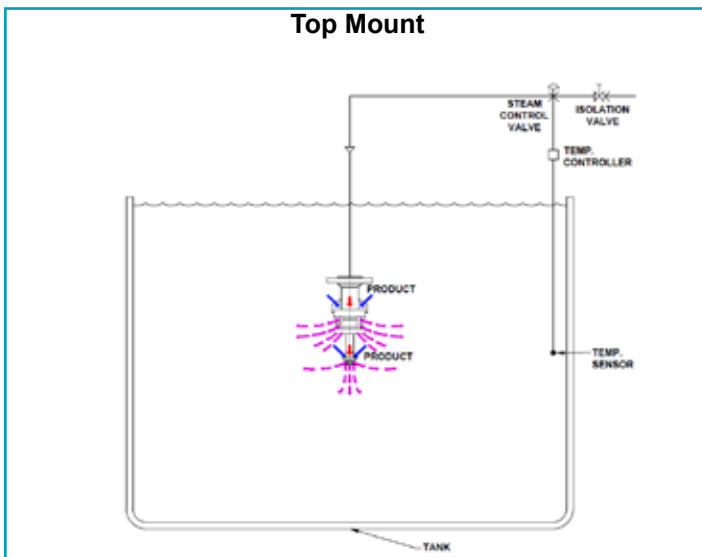
Tank Heater Applications

- Pre-Heat Boiler Feed Water To DA
- Water & Water-Compatible Fluids
- Caustic Heating
- Batch Tank Fill
- Water Clarifier
- HRSG Condenser (Boiler Tube) Pre-Heating
- Process Liquids Heating
- Condensated Heating
- Reactor Pre-Heating
- Vaporizers

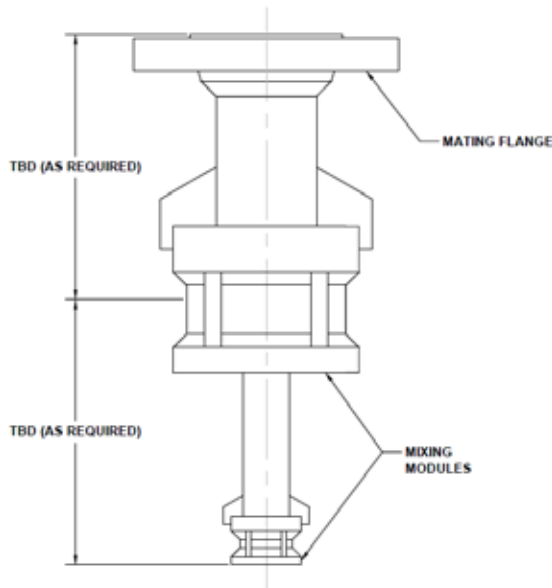
Features & Benefits

- High heating efficiency - up to 100%
- Turn-down ratio up to 10:1
- Maintenance free
- Compact design
- Quiet operation

Typical Installation



“THD” Series Tank Heaters (Top-Mounted)



SIZES AVAILABLE
2 1/2" x 1"
3" x 1"
4" x 1 1/2"
5" x 2"
Larger sizes available upon request.

HOUSING - PIPE:

Standard Wall - Type 316/316L SS

END CONNECTION - FLANGES (ANSI B16.5, CLASS 150)

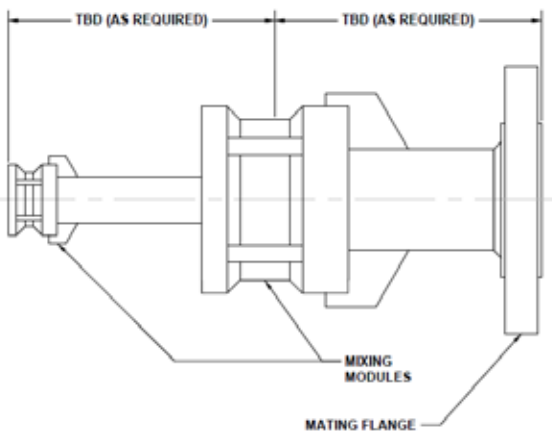
STAINLESS STEEL - Raised Face

MIXING MODULES:

STAINLESS STEEL - Type 316/316L

NOTE: Other materials available.

“THD” Series Tank Heaters (Side-Mounted)



SIZES AVAILABLE
2 1/2" x 1"
3" x 1"
4" x 1 1/2"
5" x 2"
Larger sizes available upon request.

HOUSING - PIPE:

Standard Wall - Type 316/316L SS

END CONNECTION - FLANGES (ANSI B16.5, CLASS 150)

STAINLESS STEEL - Double-Sided Raised Face

MIXING MODULES:

STAINLESS STEEL - Type 316/316L

NOTE: Other materials available.

Note: MXR is not affiliated with Komax.

contact:

MXR Technologies, LLC

40515 Green Oaks Dr. Temecula, CA 92592 USA

www.mxrtech.com

E-mail: info@mxrtech.com

Ph.: 1-951-303-4600 or 949-412-6525