

“N” Series 3-Element Mixer

The design flexibility of MXR's Mixing Technologies will provide superior mixing performance in water and waste water applications.

Application

- Provide complete mixing of chemicals/additives into water/waste effluent.
- Aeration, coagulation, chlorination, or pH control.

Benefits

- Low cost and zero maintenance
- Short mixing length and long service life
- Guaranteed mixing performance
- Available in stock for immediate shipment
- Very high mixing efficiency up to 90% energy savings
- Eliminates need for treatment tanks and other mixers

Design

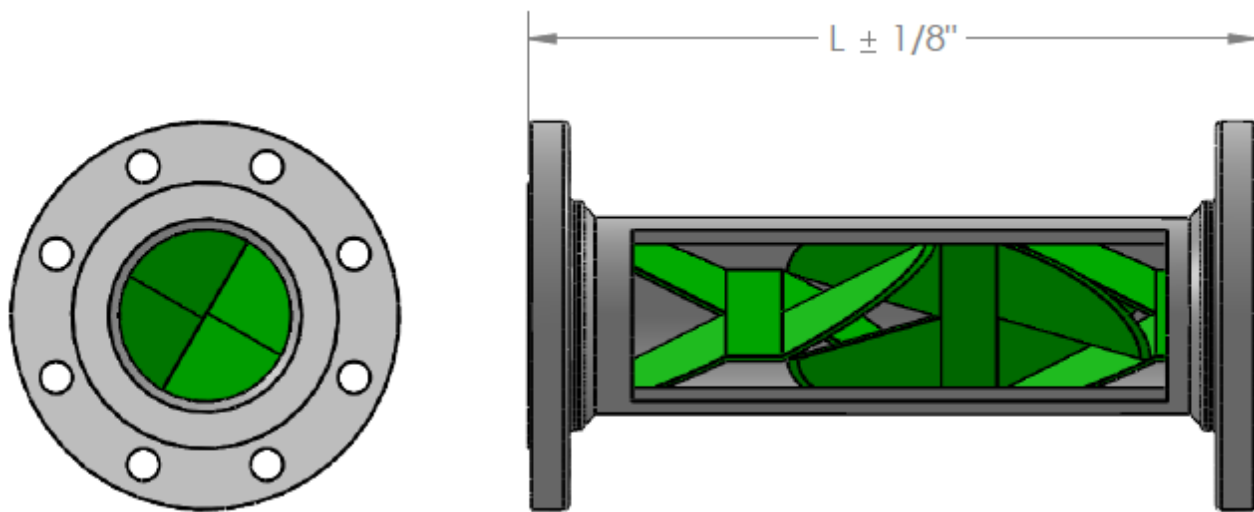
- Highly effective in mixing liquid/liquid or gas/liquid mixing.
- No moving parts and low pressure drop.

Installation

- Easy installation in a horizontal or vertical pipeline.
- Can include an optional port to introduce chemicals or additives.

MXR "N" SERIES STATIC MIXERS

The design flexibility of MXR's Mixing Technologies will provide superior mixing performance in water and waste water applications.



HOUSING - PIPE:

Schedule 40 - CARBON STEEL - SA53 Grade B or Equiv.
Schedule 40 - STAINLESS STEEL - Type 316/316L
Schedule 80 - CLEAR PVC / PVC

END CONNECTION - FLANGES (ANSI B16.5, CLASS 150 (DRILLING)):

CARBON STEEL &
STAINLESS STEEL - Raised Face
CLEAR PVC or PVC - 2 1/2" & Smaller - Flat Face
3" & Larger - Raised Face

MIXING ELEMENTS:

Material Compatible With Housing

LINE SIZE NPS	LENGTH L, inches		
	2 el.	3 el.	4 el.
2	7	10	13
3	10	14	18
4	12	17	22
6	18	26	33
8	24	34	44
10	29	42	54
12	32	47	62
Other sizes available upon request.			

contact:

MXR Technologies, LLC

40515 Green Oaks Dr. Temecula, CA 92592 USA

www.mxrtech.com

E-mail: info@mxrtech.com

Ph.: 1-951-303-4600 or 949-412-6525