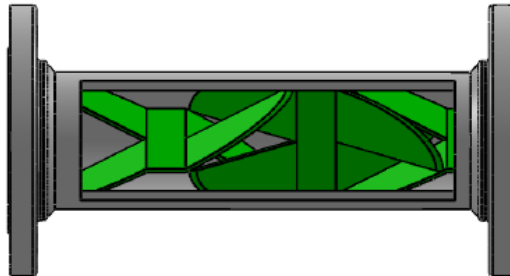
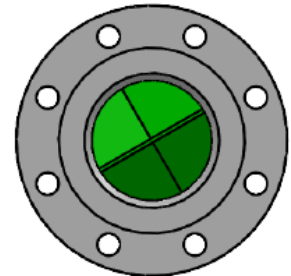


Upstream End View



Mixing Section



Downstream End View

“N” Series 3-Element Mixer

The design flexibility of MXR's Mixing Technologies will provide superior mixing performance in any liquid, gas, slurry, or particulate mixing.

Application

- Provide complete mixing of chemicals/additives into liquids, gases and others.
- Scrubbing, corrosive chemical mixing, gas/gas mixing, fuel oil blending, gas/liquid mixing, high viscosity polymer blending, chemical reactors, uniform thermal product blending, or pH control.

Benefits

- Low cost and zero maintenance
- Short mixing length and long service life
- Guaranteed mixing performance
- Available in stock for immediate shipment
- Very high mixing efficiency up to 90% energy savings
- Eliminates need for treatment tanks and other mixers

Design

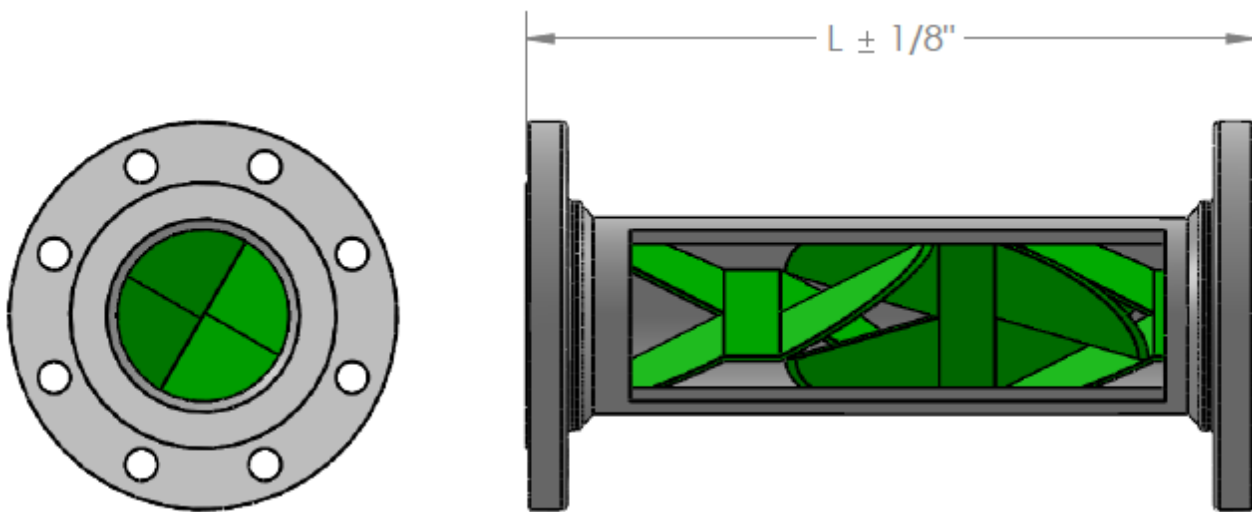
- Highly effective in mixing liquid/liquid or gas/liquid mixing.
- No moving parts and low pressure drop.
- Various shapes, sizes, and material of construction selection.

Installation

- Easy installation in a horizontal or vertical pipeline.
- Can include an optional port to introduce chemicals or additives.

MXR “N” SERIES STATIC MIXERS

The design flexibility of MXR’s Mixing Technologies will provide superior mixing performance in any liquid, gas, slurry, or particulate mixing.



HOUSING - PIPE:

Schedule 40 - CARBON STEEL - SA53 Grade B or Equiv.
 Schedule 40 - STAINLESS STEEL - Type 316/316L
 Schedule 80 - CLEAR PVC / PVC

END CONNECTION - FLANGES (ANSI B16.5, CLASS 150 (DRILLING)):

CARBON STEEL &
 STAINLESS STEEL - Raised Face
 CLEAR PVC or PVC - 2 1/2" & Smaller - Flat Face
 3" & Larger - Raised Face

MIXING ELEMENTS:

Material Compatible With Housing

LINE SIZE NPS	LENGTH L, inches		
	2 el.	3 el.	4 el.
2	7	10	13
3	10	14	18
4	12	17	22
6	18	26	33
8	24	34	44
10	29	42	54
12	32	47	62
Other sizes available upon request.			

contact:

MXR Technologies, LLC

40515 Green Oaks Dr. Temecula, CA 92592 USA

www.mxrtech.com

E-mail: info@mxrtech.com

Ph.: 1-951-303-4600 or 949-412-6525