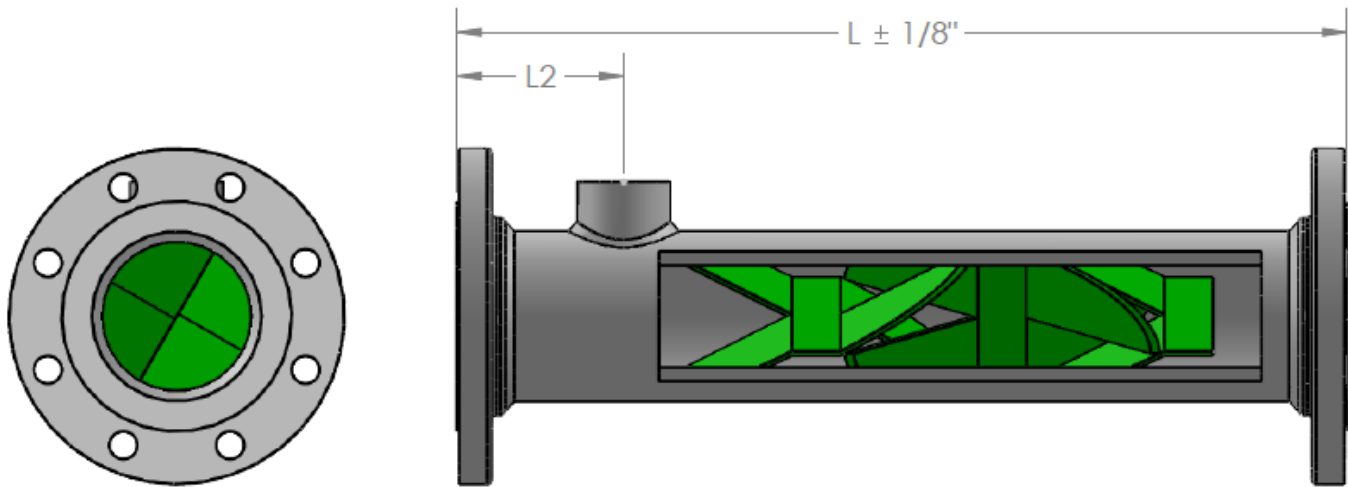


The design flexibility of MXR's Mixing Technologies will provide superior mixing performance in any liquid, gas, slurry, or particulate mixing.



**HOUSING - PIPE:**

Schedule 40 - CARBON STEEL - SA53 Grade B or Equiv.  
 Schedule 40 - STAINLESS STEEL - Type 316/316L  
 Schedule 80 - CLEAR PVC / PVC

**END CONNECTION - FLANGES (ANSI B16.5, CLASS 150 (DRILLING)):**

CARBON STEEL &  
 STAINLESS STEEL - Raised Face  
 CLEAR PVC or PVC - 2 1/2" & Smaller - Flat Face  
 3" & Larger - Raised Face

**MIXING ELEMENTS:**

Material Compatible With Housing

LINE SIZE NPS	LENGTH L, inches			L2 in.	SIDE PORT NPT
	2 el.	3 el.	4 el.		
2	11	13	16	3	3/4
3	15	19	22	4	1 1/2
4	19	24	29	4 1/2	1 1/2
6	27	34	42	5	1 1/2
8	34	44	54	5 1/2	2
10	41	54	66	6	2
12	48	64	78	6 1/2	2
Other sizes available upon request.					

Note: MXR is not affiliated with Komax.

contact:

**MXR Technologies, LLC**  
 40515 Green Oaks Dr. Temecula, CA 92592 USA  
 www.mxrtech.com  
 E-mail: info@mxrtech.com  
 Ph.: 1-951-303-4600 or 949-412-6525