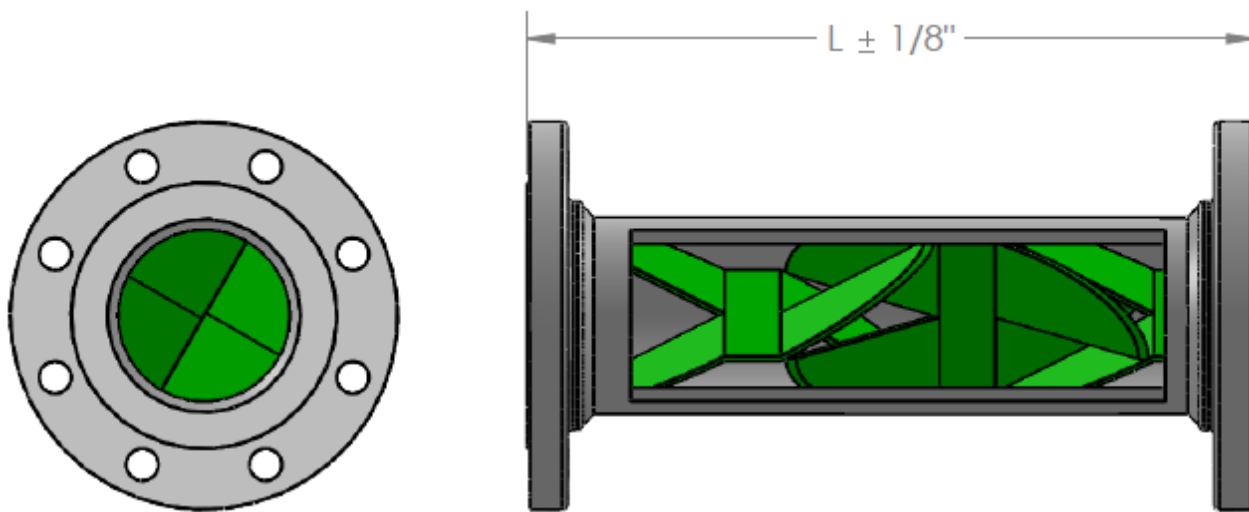


The design flexibility of MXR's Mixing Technologies will provide superior mixing performance in any liquid, gas, slurry, or particulate mixing.



HOUSING - PIPE:

Schedule 40 - CARBON STEEL - SA53 Grade B or Equiv.
Schedule 40 - STAINLESS STEEL - Type 316/316L
Schedule 80 - CLEAR PVC / PVC

END CONNECTION - FLANGES (ANSI B16.5, CLASS 150 (DRILLING)):

CARBON STEEL &
STAINLESS STEEL - Raised Face
CLEAR PVC or PVC - 2 1/2" & Smaller - Flat Face
3" & Larger - Raised Face

MIXING ELEMENTS:

Material Compatible With Housing

LINE SIZE NPS	LENGTH L, inches		
	2 el.	3 el.	4 el.
2	7	10	13
3	10	14	18
4	12	17	22
6	18	26	33
8	24	34	44
10	29	42	54
12	32	47	62
Other sizes available upon request.			

Note: MXR is not affiliated with Komax.

contact:

MXR Technologies, LLC

40515 Green Oaks Dr. Temecula, CA 92592 USA

www.mxrtech.com

E-mail: info@mxrtech.com

Ph.: 1-951-303-4600 or 949-412-6525