

- **SIMPLE IN-LINE INSTALLATION**
- **RUGGED DESIGN**
- **MAINTENANCE FREE**

MXR "DES" Series for Desuperheating

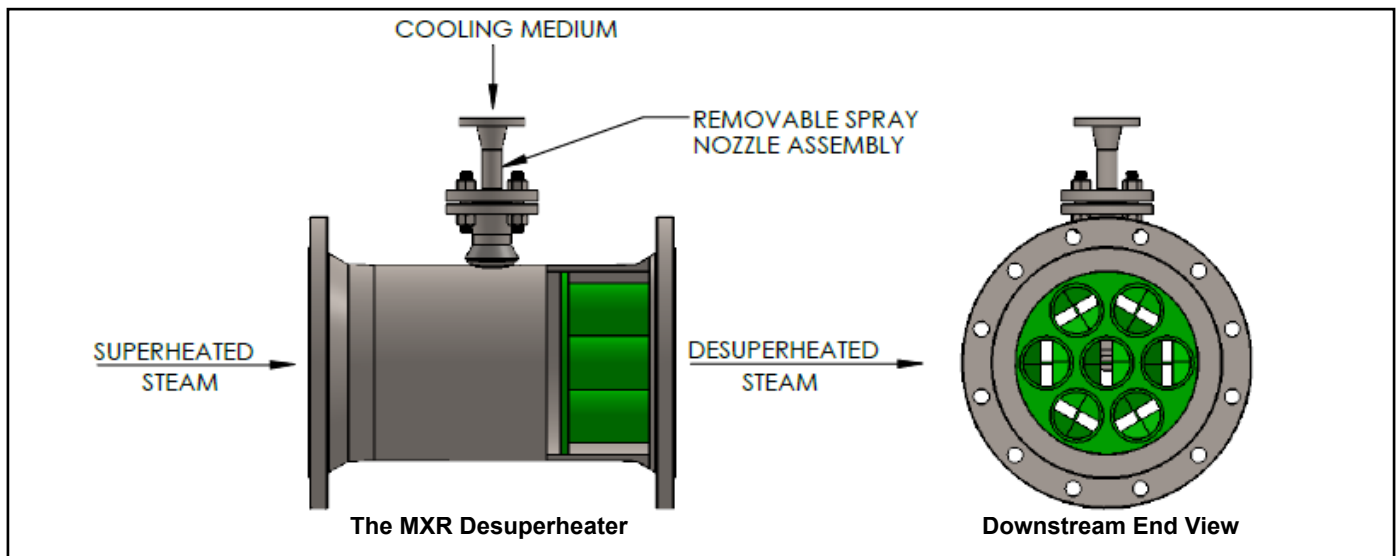
The design flexibility of MXR's Desuperheating Technologies will provide superior cooling performance in any steam desuperheating application.

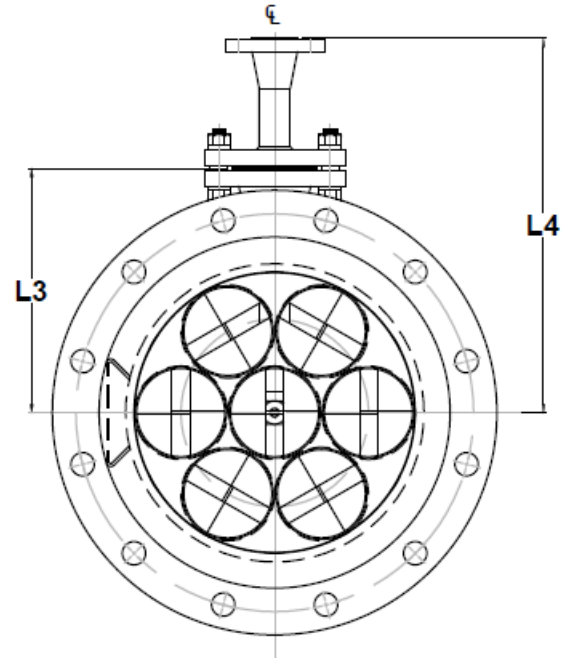
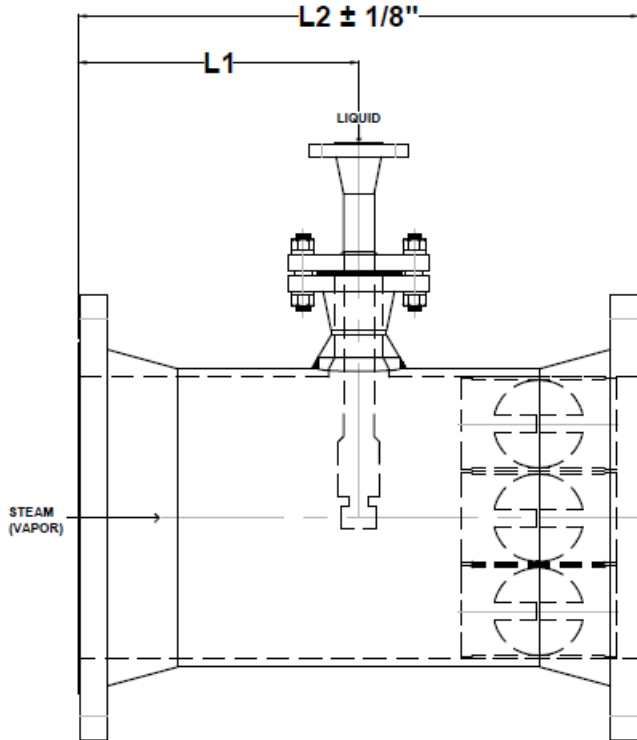
Desuperheater Applications

- Boiler Desuperheaters
- Pressure Reducing Valve Outlet Steam
- Turbine Gland Sealing
- Cooking Kettles
- Process Steam
- Process Gases
- Boiler Reheaters
- NO_x Steam For Gas Turbines
- Turbine Bleed Steam
- Process Gases
- Drum Dryers
- Tire Molds

Features & Benefits

- Requires short length of straight pipe downstream (5D to 10D)
- Very high contacting efficiency
- Turn-down ratio up to 10:1
- Low pressure drop
- Maintenance free
- Compact design
- Quiet operation





HOUSING - PIPE:

Standard Wall - STAINLESS STEEL - Type 316/316L

SIDE CONNECTION - FLANGES (ANSI B16.5, CLASS 150)

STAINLESS STEEL - Raised Face Weld Neck

SPRAY NOZZLE ASSEMBLY (REMOVABLE):

STAINLESS STEEL - 1" Raised Face Weld Neck Flange
With 2" or 3" Raised Face Weld Neck Flanged Connection
and 1 Special Design Spray Nozzle

END CONNECTION - FLANGES (ANSI B16.5, CLASS 150)

STAINLESS STEEL - Raised Face Weld Neck

MIXING MODULE:

STAINLESS STEEL - Type 316/316L

NOTE: Other materials available.

NOM. SIZE	L1	L2	L3	L4
4	4.00	8.00	6.31	12.00
6	6.00	12.00	7.38	13.00
8	8.00	16.00	8.38	14.00
10	10.00	20.00	9.44	15.00
12	12.00	24.00	10.44	16.00
14	14.00	28.00	11.56	17.00
16	16.00	32.00	12.56	18.00
18	18.00	36.00	13.56	19.00
20	20.00	40.00	14.56	21.00
24	24.00	48.00	16.56	23.00
ALL DIMENSIONS ARE IN INCHES				

Note: MXR is not affiliated with Komax.

contact:

MXR Technologies, LLC

40515 Green Oaks Dr. Temecula, CA 92592 USA

www.mxrtech.com

E-mail: info@mxrtech.com

Ph.: 1-951-303-4600 or 949-412-6525