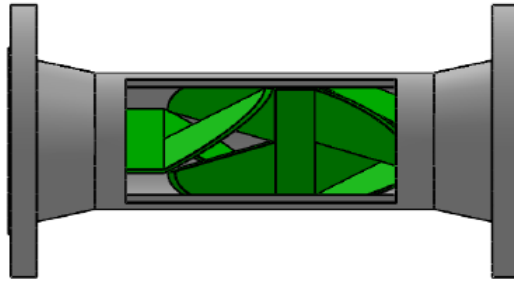
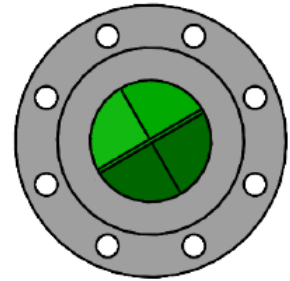


Upstream End View



Mixing Section



Downstream End View

"CM300" Series 3-Element Mixer

The design flexibility of MXR's Mixing Technologies will provide superior mixing performance in Custody Transfer Applications.

Application

- Provide homogenization of bottom sediment and water prior to sampling in Custody Transfer pipelines.
- Mixing of oil streams such as water cut measurement, online sampling of hydrocarbons, and spot sampling or automatic grab sample.

Benefits

- Low cost
- Short mixing length
- Guaranteed mixing performance
- Available in stock for immediate shipment
- Very high mixing efficiency for accurate sampling

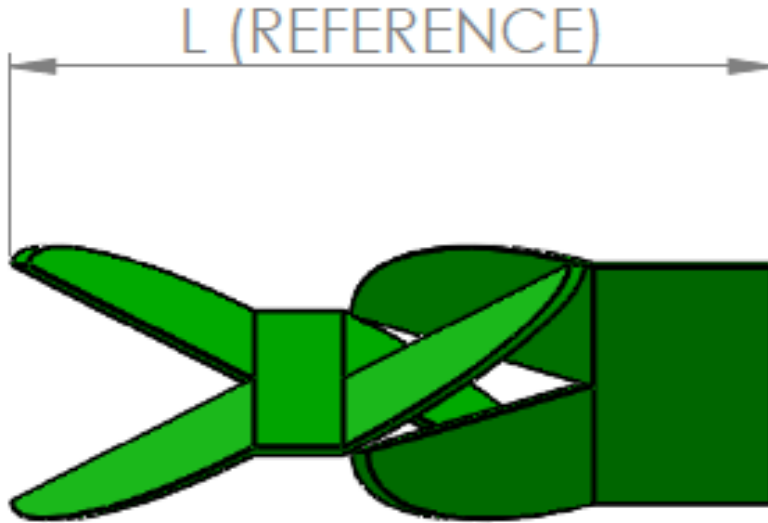
Design

- Highly effective in mixing liquid/liquid or gas/liquid dispersion.
- To meet the stringent requirements of ISO 3171, API 8.2, and ASTM D4177.

Installation

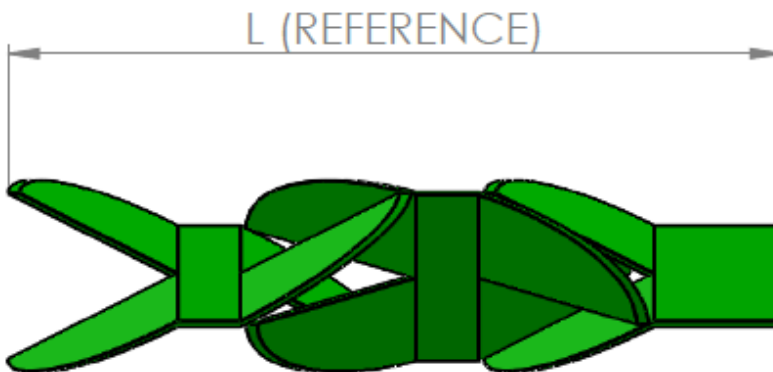
- Can be installed in a horizontal or vertical pipeline.
- Automatic sampler to be located around three pipe diameters of straight pipe downstream of the static mixer.

2-Mixing Element Assembly (“CM300” Series)



| LINE SIZE (NPS) | MODEL NO. | LENGTH, “L” (INCHES) |
|-------------------------------------|-----------------------|----------------------|
| 3/4 | CS0075-040-02CM300-EA | 2.36 |
| 1 | CS010-040-02CM300-EA | 2.97 |
| 1 1/2 | CS015-040-02CM300-EA | 4.53 |
| 2 | CS020-040-02CM300-EA | 5.88 |
| 3 | CS030-040-02CM300-EA | 8.65 |
| 4 | CS040-040-02CM300-EA | 11.26 |
| 6 | CS060-040-02CM300-EA | 17.03 |
| 8 | CS080-040-02CM300-EA | 22.46 |
| 10 | CS100-040-02CM300-EA | 28.03 |
| 12 | CS120-STD-02CM300-EA | 33.44 |
| Other sizes available upon request. | | |

3-Mixing Element Assembly (“CM300” Series)



| LINE SIZE (NPS) | MODEL NO. | LENGTH, “L” (INCHES) |
|-------------------------------------|-----------------------|----------------------|
| 3/4 | CS0075-040-03CM300-EA | 3.44 |
| 1 | CS010-040-03CM300-EA | 4.31 |
| 1 1/2 | CS015-040-03CM300-EA | 6.57 |
| 2 | CS020-040-03CM300-EA | 8.54 |
| 3 | CS030-040-03CM300-EA | 12.53 |
| 4 | CS040-040-03CM300-EA | 16.28 |
| 6 | CS060-040-03CM300-EA | 24.64 |
| 8 | CS080-040-03CM300-EA | 32.49 |
| 10 | CS100-040-03CM300-EA | 40.49 |
| 12 | CS120-STD-03CM300-EA | 48.29 |
| Other sizes available upon request. | | |

contact:

MXR Technologies, LLC

40515 Green Oaks Dr. Temecula, CA 92592 USA

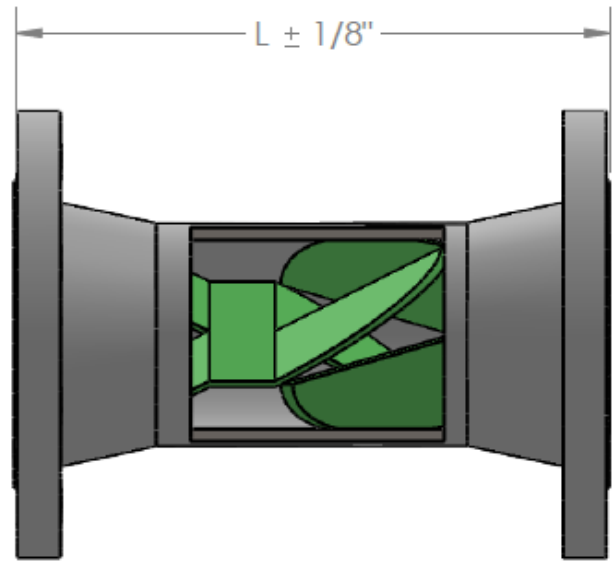
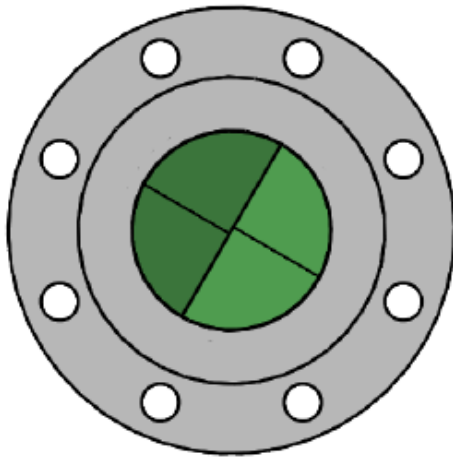
www.mxrtech.com

E-mail: info@mxrtech.com

Ph.: 1-951-303-4600 or 949-412-6525

MXR "CM300" SERIES 2-ELEMENT CUSTODY TRANSFER MIXERS

The design flexibility of MXR's Mixing Technologies will provide superior mixing performance in Custody Transfer Applications.



| LINE SIZE NPS | LENGTH "L", (inches) 2-ELEMENTS "CM300" SERIES |
|-------------------------------------|--|
| 3 | 9 |
| 4 | 12 |
| 6 | 18 |
| 8 | 24 |
| 10 | 30 |
| 12 | 36 |
| 14 | 39 |
| 16 | 45 |
| 18 | 51 |
| 20 | 57 |
| Other sizes available upon request. | |

HOUSING - PIPE:

Standard Wall - CARBON STEEL - SA106 Grade B or Equiv.

END CONNECTION - FLANGES (ANSI B16.5, CLASS 150 OR 300):

CARBON STEEL - SA105 Raised Face Weld Neck

MIXING ELEMENTS:

CARBON STEEL - SA36 or Equiv.

contact:

MXR Technologies, LLC

40515 Green Oaks Dr. Temecula, CA 92592 USA

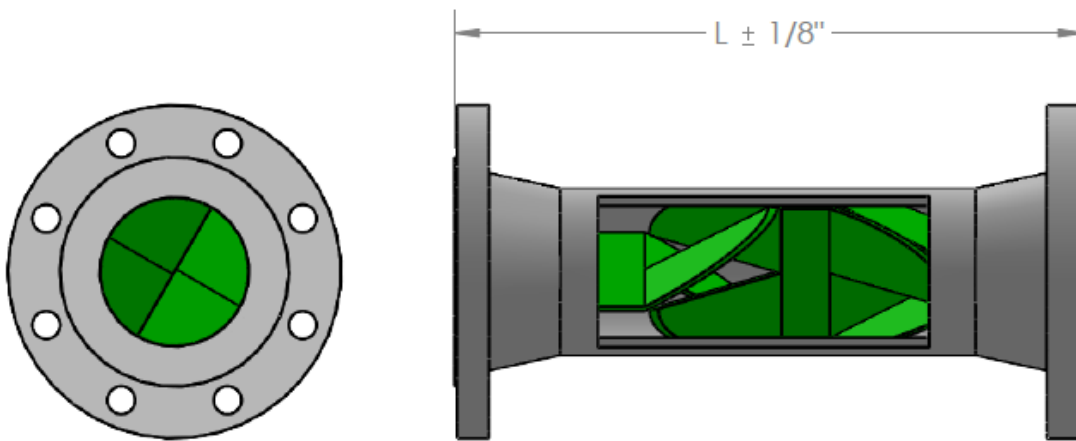
www.mxrtech.com

E-mail: info@mxrtech.com

Ph.: 1-951-303-4600 or 949-412-6525

MXR "CM300" SERIES 3-ELEMENT CUSTODY TRANSFER MIXERS

The design flexibility of MXR's Mixing Technologies will provide superior mixing performance in Custody Transfer Applications.



| LINE SIZE NPS | LENGTH "L", (inches) 3-ELEMENTS "CM300" SERIES |
|-------------------------------------|--|
| 3 | 13 |
| 4 | 17 |
| 6 | 26 |
| 8 | 35 |
| 10 | 43 |
| 12 | 51 |
| 14 | 56 |
| 16 | 65 |
| 18 | 73 |
| 20 | 82 |
| Other sizes available upon request. | |

HOUSING - PIPE:

Standard Wall - CARBON STEEL - SA106 Grade B or Equiv.

END CONNECTION - FLANGES (ANSI B16.5, CLASS 150 OR 300):

CARBON STEEL - SA105 Raised Face Weld Neck

MIXING ELEMENTS:

CARBON STEEL - SA36 or Equiv.

contact:

MXR Technologies, LLC
 40515 Green Oaks Dr. Temecula, CA 92592 USA
 www.mxrtech.com
 E-mail: info@mxrtech.com
 Ph.: 1-951-303-4600 or 949-412-6525