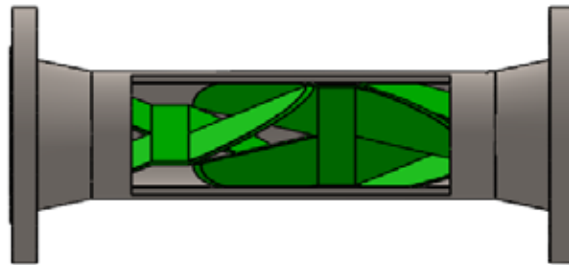
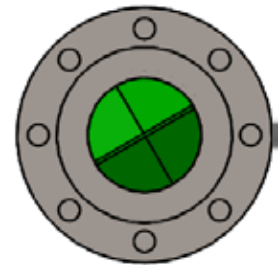


Upstream End View



Mixing Section



Downstream End View

## "CM250" Series 3-Element Mixer

The design flexibility of MXR's Mixing Technologies will provide superior mixing performance in Custody Transfer Applications.

### Application

- Provide homogenization of bottom sediment and water prior to sampling in Custody Transfer pipelines.
- Mixing of oil streams such as water cut measurement, online sampling of hydrocarbons, and spot sampling or automatic grab sample.

### Benefits

- Low cost
- Short mixing length
- Guaranteed mixing performance
- Available in stock for immediate shipment
- Very high mixing efficiency for accurate sampling

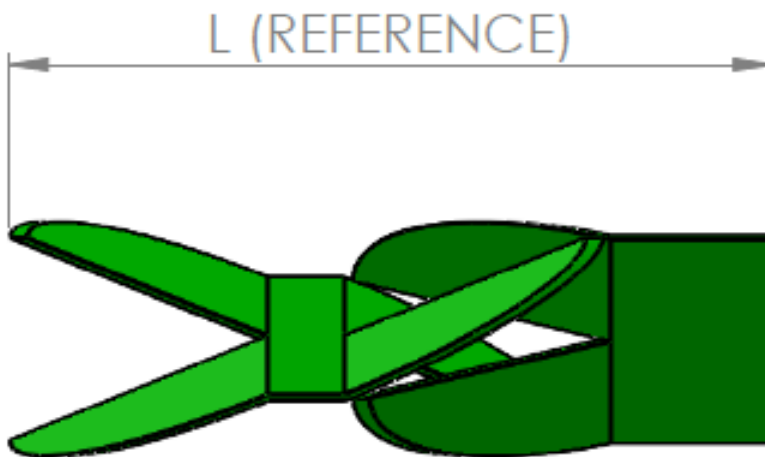
### Design

- Highly effective in mixing liquid/liquid or gas/liquid dispersion.
- To meet the stringent requirements of ISO 3171, API 8.2, and ASTM D4177.

### Installation

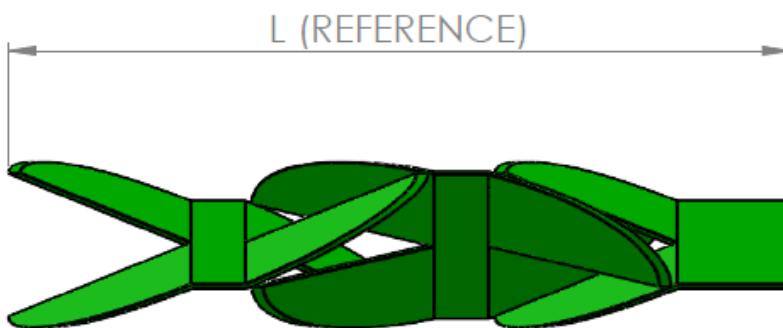
- Can be installed in a horizontal or vertical pipeline.
- Automatic sampler to be located around three to five pipe diameters of straight pipe downstream of the static mixer.

**2-Mixing Element Assembly (“CM250” Series)**



LINE SIZE (NPS)	MODEL NO.	LENGTH, “L” (INCHES)
3/4	CS0075-040-02CM250-EA	2.81
1	CS010-040-02CM250-EA	3.49
1 1/2	CS015-040-02CM250-EA	5.18
2	CS020-040-02CM250-EA	7.42
3	CS030-040-02CM250-EA	9.94
4	CS040-040-02CM250-EA	13.07
6	CS060-040-02CM250-EA	19.61
8	CS080-040-02CM250-EA	25.81
10	CS100-040-02CM250-EA	32.23
12	CS120-STD-02CM250-EA	38.47
Other sizes available upon request.		

**3-Mixing Element Assembly (“CM250” Series)**



LINE SIZE (NPS)	MODEL NO.	LENGTH, “L” (INCHES)
3/4	CS0075-040-03CM250-EA	4.07
1	CS010-040-03CM250-EA	5.07
1 1/2	CS015-040-03CM250-EA	7.57
2	CS020-040-03CM250-EA	10.54
3	CS030-040-03CM250-EA	14.48
4	CS040-040-03CM250-EA	18.89
6	CS060-040-03CM250-EA	28.52
8	CS080-040-03CM250-EA	37.34
10	CS100-040-03CM250-EA	46.88
12	CS120-STD-03CM250-EA	55.85
Other sizes available upon request.		

**contact:**

**MXR Technologies, LLC**

40515 Green Oaks Dr. Temecula, CA 92592 USA

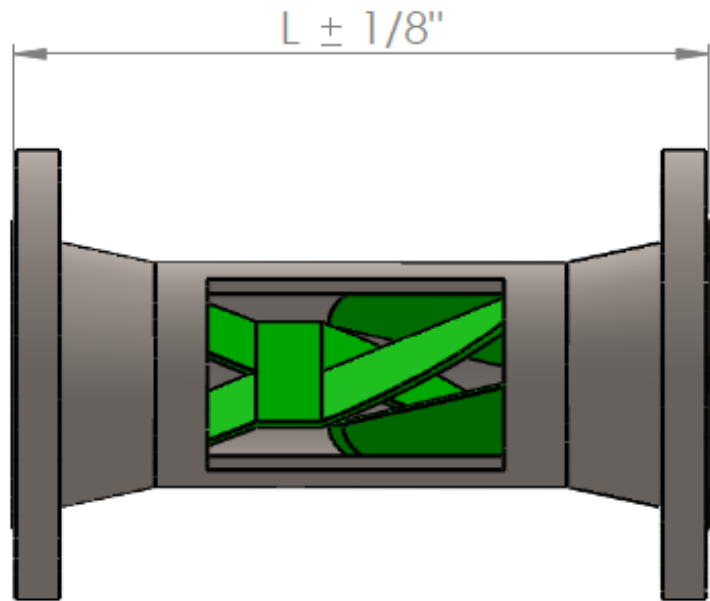
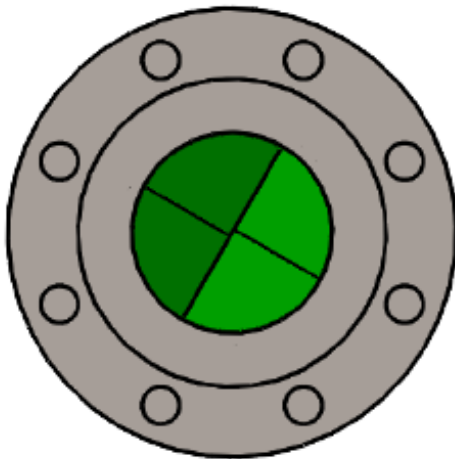
www.mxrtech.com

E-mail: info@mxrtech.com

Ph.: 1-951-303-4600 or 949-412-6525

**MXR “CM250” SERIES 2-ELEMENT CUSTODY TRANSFER MIXERS**

The design flexibility of MXR’s Mixing Technologies will provide superior mixing performance in Custody Transfer Applications.



LINE SIZE NPS	LENGTH, “L” (inches) 2-ELEMENTS “CM250” SERIES
3	11
4	14
6	21
8	27
10	34
12	40
14	43
16	50
18	56
20	62
Other sizes available upon request.	

**HOUSING - PIPE:**

Standard Wall - CARBON STEEL - SA106 Grade B or Equiv.

**END CONNECTION - FLANGES (ANSI B16.5, CLASS 150 OR 300):**

CARBON STEEL - SA105 Raised Face Weld Neck

**MIXING ELEMENTS:**

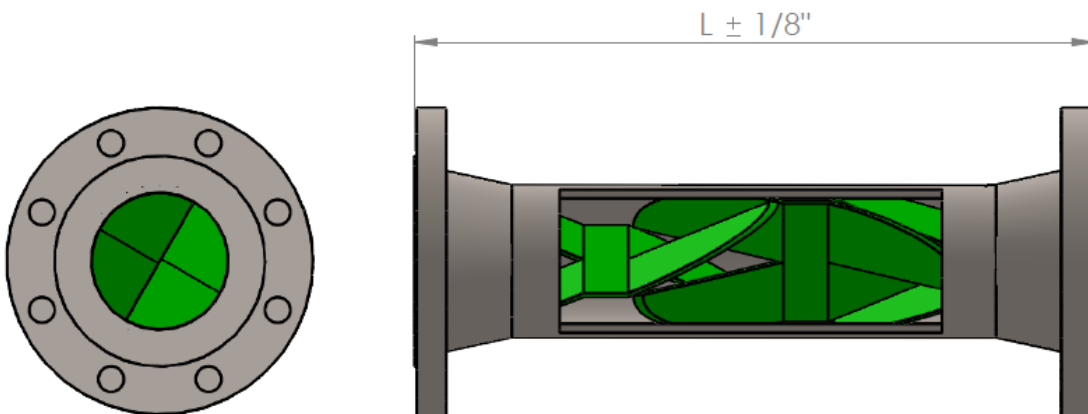
CARBON STEEL - SA36 or Equiv.

**contact:**

**MXR Technologies, LLC**  
 40515 Green Oaks Dr. Temecula, CA 92592 USA  
 www.mxrtech.com  
 E-mail: info@mxrtech.com  
 Ph.: 1-951-303-4600 or 949-412-6525

**MXR "CM250" SERIES 3-ELEMENT CUSTODY TRANSFER MIXERS**

The design flexibility of MXR's Mixing Technologies will provide superior mixing performance in Custody Transfer Applications.



LINE SIZE NPS	LENGTH "L", (inches) 3-ELEMENTS "CM250" SERIES
3	16
4	20
6	30
8	39
10	48
12	57
14	63
16	72
18	81
20	90
Other sizes available upon request.	

**HOUSING - PIPE:**

Standard Wall - CARBON STEEL - SA106 Grade B or Equiv.

**END CONNECTION - FLANGES (ANSI B16.5, CLASS 150 OR 300):**

CARBON STEEL - SA105 Raised Face Weld Neck

**MIXING ELEMENTS:**

CARBON STEEL - SA36 or Equiv.

**contact:**

**MXR Technologies, LLC**  
 40515 Green Oaks Dr. Temecula, CA 92592 USA  
 www.mxrtech.com  
 E-mail: info@mxrtech.com  
 Ph.: 1-951-303-4600 or 949-412-6525